

BP Series Pure Sine Wave Inverter



BP-600W



BP-1000W



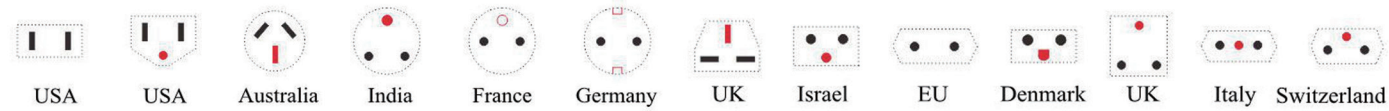
BP-2000W



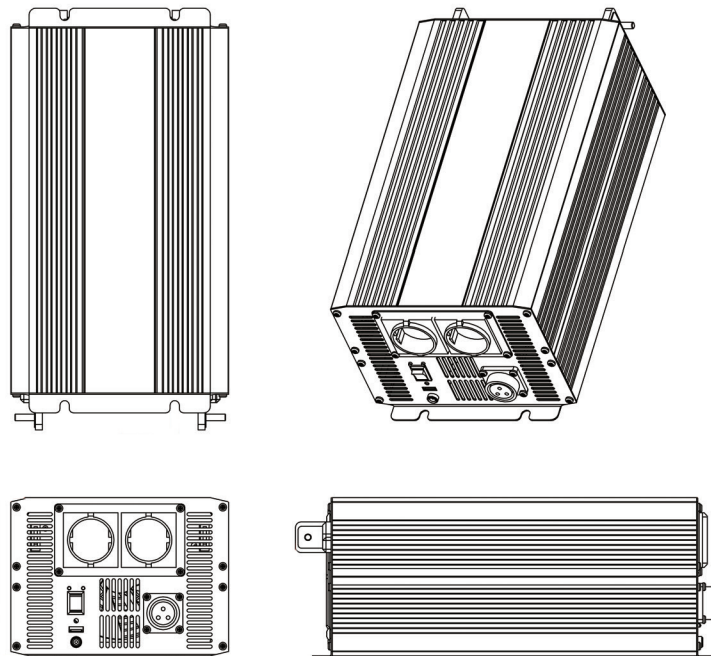
BP-3000W

* 3D model available

Optional Sockets



Technical Drawing (mm)



- Mini PC chip control
- Full power design, 2 times peak power
- Intelligent cooling fan system
- DC voltage can be customized to 12V/24V/36V/48V/60V/72V/96V/110V/220V (Individual items OME unacceptable)
- AC outlet sockets optional

Parameters

Type	BP600	BP1000	BP2000	BP3000
Rated Power	600W	1000W	2000W	3000W
Peak Power	1200W	2000W	4000W	6000W
Wave Form	Pure Sine Wave			
Frequency	50HZ/60HZ			
Output Efficiency	≥88%			
AC Regulation	THD<3% (linear load)			
DC Voltage	12V			
DC Voltage Range	10~15.5V			
Low Voltage Alarm	10.5±0.5V			
Low Voltage Shut Down	10±0.5V			
Over Voltage Shut Down	15.5±0.5V			
Low Voltage Recovery	13±0.5V			
Over Voltage Recovery	14.8±0.5V			
AC Voltage	120V(±5%) or 230V(±5%)			
USB Outlet	5V 500MA			
Working Temp	(-10℃ ~ +50℃)			
Storage Temp	(-30℃ ~ +70℃)			
Protection	Low Voltage			
	Over Voltage			
	Over Load			
	Over Temp			
	Short Circuit			
	Input Oppose (Optional)			
Product Size(mm)	217*145*67.5	284*145*68	356*169*87	367*199*146
Packing Size (mm)	280*190*115	190*354*110	218*416*150	470*290*230
N. W/G. W (kg)	1.6/1.85	2.5/3	3.85/4.85	7.65/9

Application Example

